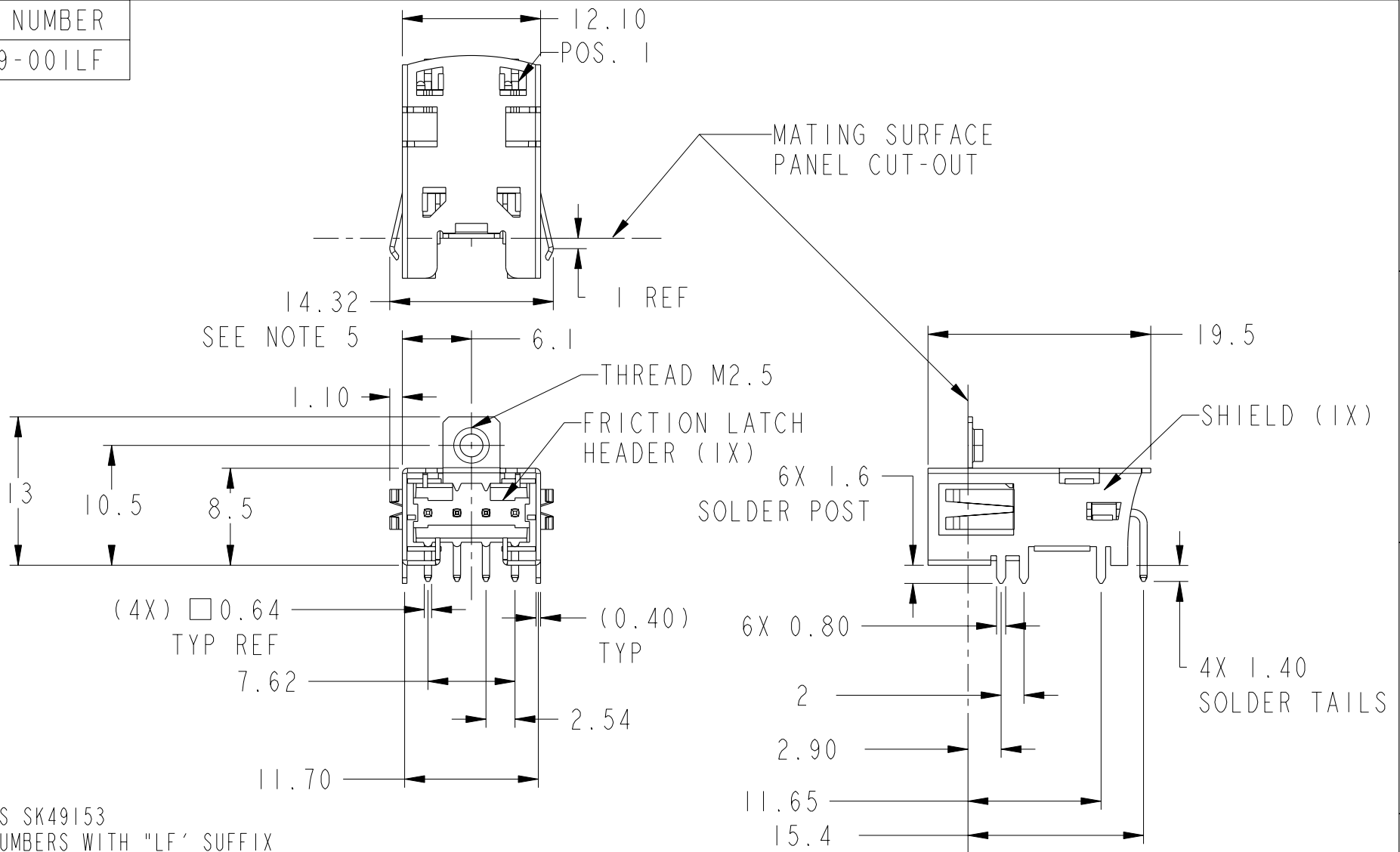


PRODUCT NUMBER
10066619-001LF



NOTES:

1. P/N WAS SK49153
2. PART NUMBERS WITH "LF" SUFFIX ARE LEAD FREE.
3. SHIELD MATERIAL ONLY, IS PHOSPOR BRONZE H04 TEMPER. 0.4mm THICK WITH 1.27-2.54um THICK NICKEL OVER PLATE.
4. EDGES OF THE SHIELD WILL BE UNPLATED.
5. COMPRESSED 13.6 WHEN ASSEMBLED TO PANEL CUT OUT.

rev	ecn no	dr	date
A	V06-0554	DAI	2006-06-12
B	M06-0418	MHT	2006-10-23
C	V07-0050	MHT	2007-01-30
D	M07-0207	MHT	2007-05-04
-	-	-	-
-	-	-	-
-	-	-	-

www.fciconnect.com		surface - ASME Y14.5	tolerance std - ASME Y14.5	projection	MM
		TOLERANCES UNLESS OTHERWISE SPECIFIED			
Dr	D. INGRAM	03/29/06	ANGULAR	0.X ±.3	size A4
Eng	H. SUNDY	03/29/06	LINEAR	0.XX ±.10	Scale 2:1
Chr	H. SUNDY	03/29/06	0° ±2°	0.XXX ±.050	ECN M07-0207
Appr	H. SUNDY	03/29/06	Product family	HEADER	Spec ref -
			POWER HEADER ASSEMBLY		dwg no 10066619
			catalog no -	CUSTOMER	Rev. D
					sheet 1 of 4

PRODUCT NUMBER
10066619-001LF

7.62

3X 2.54

1.27

POS 1

☉ OF DATUM B
AND
DATUM C

POS 4

☉ Ø 0.10 A B C

(15.4)

12.50

8.75

2.00



Copyright FCI.

PANEL INSIDE SURFACE

Ø 1.02 REF

☉ Ø 0.10 A B

C

10 X Ø 1.02

☉ Ø 0.10 A

B

5.85

11.70

1.50

RECOMMENDED BOARD LAYOUT

SCALE 3:1



title POWER HEADER ASSEMBLY - catalog no	dwg no 10066619	Rev. D
	CUSTOMER	sheet 2 of 4

REV F - 2006-04-17

PDM: Rev:D

STATUS: Released

Printed: Dec 05, 2007

PRODUCT NUMBER
10066619-001LF

A

B

C

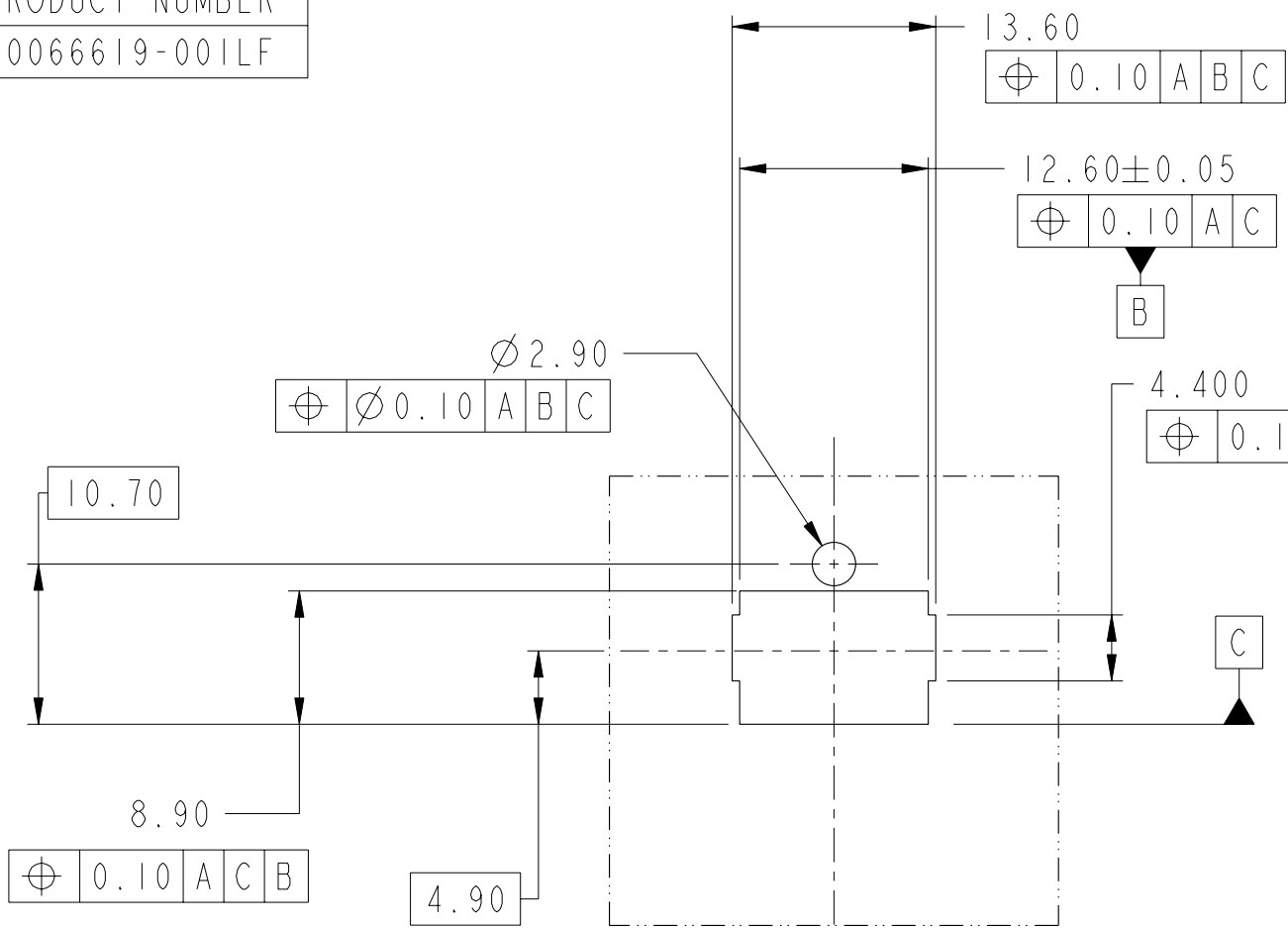
D

A

B

C

D



☉ OF DATUM B
**RECOMMENDED
PANEL CUT-OUT**
SCALE 2:1



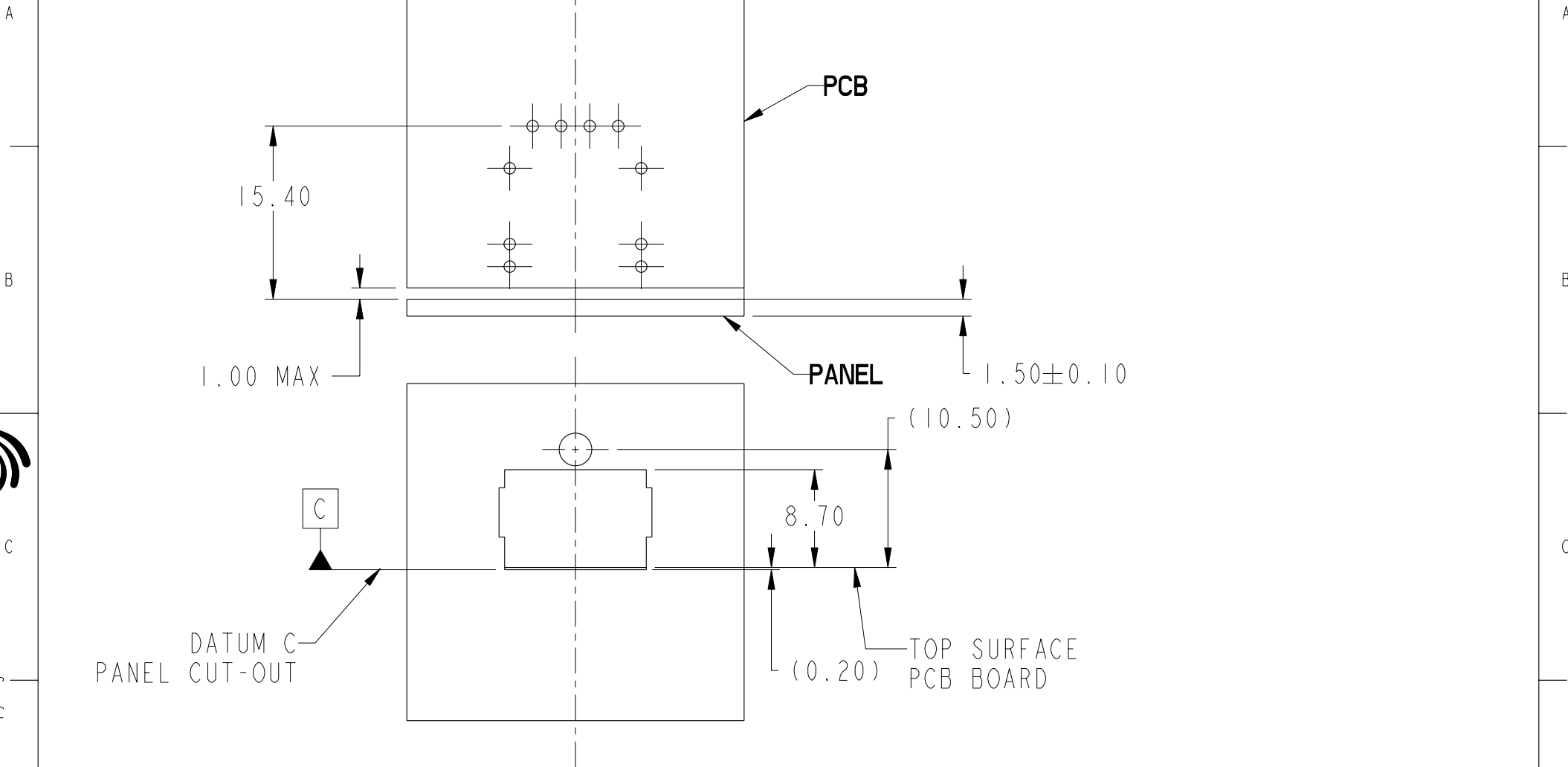
Copyright FCI.

REV F - 2006-04-17



TITLE	POWER HEADER ASSEMBLY		dwg no	10066619	Rev.	D
	catalog no	-		CUSTOMER		sheet 3 of 4

PRODUCT NUMBER
10066619-001LF



**RECOMMENDED PCB LAYOUT
AND
PANEL CUT-OUT SHOWN**

SCALE 2:1



Copyright FCI.

	title	POWER HEADER ASSEMBLY	dwg no	10066619	Rev.	D
	catalog no	-	CUSTOMER	sheet 4 of 4		

REV F - 2006-04-17